

FRPATENT

French Patents

■ Contents:

All patents filled in France since 1966, all Special Medicine Patents (BSM) since 1961 containing bibliographic, administrative and legal data for each patent as well as the « Certificats Complémentaires de Protection » (CCP) [Complementary Protection Certificates].

Access to drawings since 1978.

■ Coverage:

- Patents: from 1966
- CCP: from 1969
- BSM: from 1961 to 1978

■ Number of records:

More than 1 million

■ Updating:

Weekly, on Friday, the official publication date of the « Bulletin Officiel de la Propriété Industrielle » (BOPI)

■ Language of records:

French (descriptors are available in English)

■ Cluster searching:

The FRPATENT database belongs to the predefined PATENTS cluster (FI CL PATENTS, FI PATENTS).

■ SDI profiles:

- Weekly (by default)
- Monthly (upon request)

■ Producer:

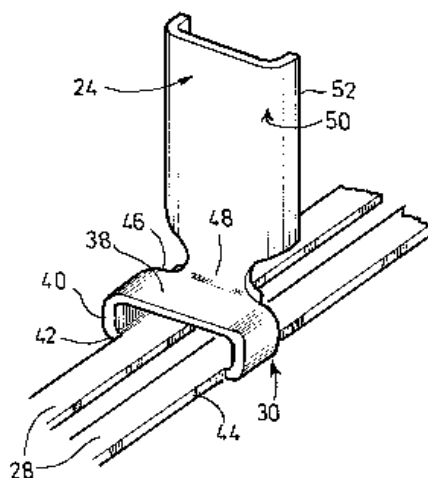
Questel•Orbit

■ Source:

INPI, (Private) under distribution agreement with Institut National de la Propriété Industrielle

Sample Patent Record

1/1 FRPATENT - (C) Questel.Orbit- image
 PUB - FR2755927 - 19980522 [FR2755927]
 EN - FR9709456 19970723 [1997FR-0009456] BPD - 1998-21
 NAT - Brevet
 PR - FR9614262 19961120 [1996FR-0014262]
 DDL - 1999-01-08
 BDL - 1999-01
 DRR - 1998-05-22
 BRR - 1998-21
 RR - Cités dans le rapport de recherche
 - EP279640(A) (Cat. X); US2767419(A) (Cat. Y); DE2309063(A) (Cat. Y);
 US3874020(A) (Cat. X); EP694457(A) (Cat. A)
 CIB1- B60S-001/32
 EC - B60S-001/38
 ICO - L60S-001/38F
 - L60S-001/38F4
 - L60S-001/38F4D
 TI - ESSUIE-GLACE DE VEHICULE AUTOMOBILE COMPORTANT UNE RACLETTE
 D'ESSUYAGE PERFECTIONNEE
 DE - TRANSPORT;AUTOMOBILE;ESSUIE-GLACE;RIGIDIFICATION;LAME;
 FIXATION;PONT;LIAISON;RAINURE;
 IT - TRANSPORT;MOTOR VEHICLE;WINDSCREEN WIPER;STIFFNESS;BADE;
 FIXING;LINKAGE;BRIDGE;GROOVE;
 AB - L'invention propose un essuie-glace de véhicule automobile,
 du type dans lequel une raclette d'essuyage, comportant une
 lame d'essuyage et un corps de rigidification (18), est
 accrochée sur un corps de l'essuie-glace par deux points.
 Le corps de rigidification (18) de la raclette comporte deux
 vertèbres parallèles (28) qui sont reliées entre elles par
 au moins un pont de liaison transversal (30). Les vertèbres
 (28) comportent des portions de maintien qui sont reçues
 dans des rainures longitudinales formées dans deux faces
 latérales opposées de la lame. Le pont de liaison
 transversal chevauche un talon de la lame d'essuyage.
 DEP - VALEO SYSTEMES D'ESSUYAGE (SOCIETE ANONYME) / Déposant / 8
 RUE LOUIS LORMAND ZA DE L AGIOT 78321 LA VERRIERE (FR)
 ADEP- FR-78321
 INV - GIRAUD FREDERIC / 10 RUE DU PALAIS 69270 VIC LE COMTE
 - CHRISTY AUDE / 74 RUE PAULINE BORGHESE 92200 NEUILLY SUR
 SEINE
 MND - VALEO MANAGEMENT SERVICES
 RVM - Revendication modifiée



Sample Record: Special Medicine Patent (BSM)

1/1 FRPATENT - (C) Questel.Orbit
PUB - FR8505 M 19781023 [FR---8505]
EN - FR8505 19680325
NAT - BSM
DDL - 1978-10-23
RR - Rapport de Recherche
- atteinte à la nouveauté : néant. état de la technique : néant.
CIB1- A61K
TI - Médicament pour activer les fonctions cellulaires d'un organisme vivant.
DEP - Takeschi SAITO
MND - Simonnot, Rinuy, Simonnot et Santarelli
DCH - DOMAINE PUBLIC

Sample Record: Patent extended by a « Certificat Complémentaire de Protection » (CCP)

1/1 FRPATENT - (C) Questel.Orbit
PUB - FR2633181 - 19891229 [FR2633181]
EN - FR8808497 19880624 [1988FR-0008497]
BPD - 1989-52
NAT - Brevet
DDL - 1992-01-10
BDL - 1992-02
DRR - 1989-12-29
BRR - 1989-52
RR - Cités dans le rapport de recherche
- EP233853(A) (Cat. D,X); BE760288(A) (Cat. A); FR2547727(A) (Cat. D,A)
CIB1- A61K-009/46
CIB2- A61K-031/34
EC - A61K-009/00L6
- A61K-031/34
TI - Composition pharmaceutique à base de ranitidine et son procédé de
préparation
DE - EFFERVESCENCE; COMPRIME; MEDICAMENT; RANITIDINE;
IT - EFFERVESCENCE; TABLET; DRUG; RANITIDINE
AB - Composition pharmaceutique effervescente comprenant de la ranitidine
ou l'un de ses sels acceptables physiologiquement, un citrate de
monométal alcalin et un carbonate ou un bicarbonate alcalin.
DEP- GLAXO SA LABORATOIRES
ADEP- FR-75
INV - Alain Emile Edouard Schaeffer
MND - CABINET FLECHNER
RNB - CP (demande de certificat complémentaire de protection) N39470 19930203
RVM - Revendication modifiée
CCP - FR92C0209 19920518 (CCP Français)
DPC - 1992-08-28 (BOPI 1992-35)
DEPC- LABORATOIRES GLAXO S.A.
MED - RANITIDINE HYDROCHLORIDE; AZANTAC
AMM - NL17391 1991-12-24
DDL- 1992-10-23
DLVC- 2008-06-24

Searching

Basic Index (default index)

Search by	Index	Search Hints	Examples
Terms from the Basic Index	/BI (default)	<p>The Basic Index comprises the following fields:</p> <ul style="list-style-type: none"> - French title (/TI) - French abstract (/AB) - French and English descriptors (/DE and /IT) - Medicine (/MED) - Classification (/CIB1, /CIB2) <p>which may be searched without using a prefix.</p> <p>For all these indexes, search by:</p> <ul style="list-style-type: none"> - single terms, using Boolean or proximity operators, or - phrases, using implied adjacency <p>Use limited and unlimited truncation. Left-hand truncation is also available.</p>	<p>RESINE? +IMPREGNE? MEMBRANE FILTR+</p> <p>SOMATROPIN</p> <p>A61K-007 A61K-007/06</p>
Title	/TI (or /FT)	Search using single terms or phrases from the title.	/TI TUBE? COMPOSITE?
Abstract	/AB	Search using single terms or phrases from the abstract (from 1978).	/AB CLUB? 2W GOLF
French descriptors	/DE	Available from 1987. Search using French keywords.	/DE CHUTE DE? CHEVEU?
English descriptors	/IT	Available from 1987. Search using English keywords.	/IT HAIR LOSS
Name of medicine, subject of a CCP	/MED	Search on the name of the medicine (International Non-proprietary Name or Proprietary Medicines), using single terms or phrases.	/MED RANITIDINE /MED AZANTAC
International Patent Classification (IPC)	/CIB1 /CIB2 /CIB (or /IC1, /IC2, /IC)	<p>The main classification (CIB1) and the secondary classification (CIB2) may be searched using the /CIB1 and /CIB2 indexes respectively, or you may search all classification codes using the /CIB index.</p> <p>Search at the following levels:</p> <ul style="list-style-type: none"> - full code (ANNA-NNN/NNNN) - group (ANNA-NNN) - sub-class (ANNA) - class (ANN# – use mask) 	<p>/CIB A61K-007/06</p> <p>/CIB1 A61K-007 /CIB2 A61K /CIB A61#</p>

Other Classification Indexes

Search by	Index	Search Hints	Examples
Additional classification IPC classification	/CIBA (or /ICA)	<p>Search at the following levels:</p> <ul style="list-style-type: none"> - full code (ANNA-NNN/NNNN) - group (ANNA-NNN) - sub-class (ANNA) - class (ANN# – use mask). <p>Note: for index codes which contain a colon «:», search by:</p> <ul style="list-style-type: none"> - the full code, using quote marks - the group, followed by ":" 	<p>/CIBA A61K-031/47</p> <p>/CIBA A61K-031</p> <p>/CIBA A61K</p> <p>/CIBA A61#</p> <p>/CIBA "A61K-031:25"</p> <p>/CIBA A61K-031:</p>
European classification (ECLA)	/EC	<p>Search at the following levels:</p> <ul style="list-style-type: none"> - full code - group - sub-class - class (use # mask symbol) <p>Note: for index codes which contain a colon «:», search by:</p> <ul style="list-style-type: none"> - the full code, using quote marks - the group, followed by ":" <p>Complementary code, preceded by an ampersand « & » is also searchable.</p>	<p>/EC C07K-001/12A</p> <p>/EC C07K-001</p> <p>/EC C07K</p> <p>/EC C07#</p> <p>/EC "C07D-285:00C"</p> <p>/EC C07D-285:</p> <p>/EC &B4Z1</p> <p>/EC &D</p>
ICO classification (In Computer Only)	/ICO	<p>Classification derived from ECLA European classification and used by the EPO examiners for:</p> <ul style="list-style-type: none"> - the less important characteristics, or - the additional characteristics, if there is no ECLA specific group. <p>ICO symbols have the same structure as ECLA symbols, with a different first letter: instead of A, B, C, D, E, F, G and H, the letters K, L, M, N, P, R, S and T are used.</p> <p>Search at the following levels:</p> <ul style="list-style-type: none"> - full code - group - sub-class - class (use # mask symbol) <p>Note: descriptions ICOs are available in the ECLA database.</p>	<p>/ICO T01F-007/18B2</p> <p>/ICO T01F-007</p> <p>/ICO T01F</p> <p>/ICO T01#</p>

Patent Assignee, Inventor, Representative

Search by	Index	Search Hints	Examples
Patent Assignee	/DEP (or /PA, /DEPA)	<p>Name and address as mentioned at the initial filing.</p> <p>Address available from 1991, but not searchable (see the ADEP field below).</p> <p>Search the patent assignee name using single terms or phrases.</p> <p>When searching for company names, we recommend you search significant terms only.</p> <p>Note: use /DEPN (or /PAN) with the NBR, MEM and MEMS commands.</p>	<p>/DEP RHONE POULENC</p> <p>/DEP PASTEUR</p> <p>/DEP PECHINEY</p> <p>NBR /DEPN FORD</p>
Patent assignee country	/ADEP (or /PAC)	<p>Search by:</p> <ul style="list-style-type: none"> - standard 2-letter code of the patent assignee's country of residence, - department code: in full or 2-digits truncated for France. 	<p>/ADEP FR</p> <p>/ADEP 92043</p> <p>/ADEP 92+</p>
CCP applicant	/DEPC (or /PANC)	<p>Search the applicant name using single terms or phrases.</p> <p>Note: use the /DPCN index with the NBR, MEM and MEMS commands.</p>	<p>/DEPC GLAXO</p> <p>NBR /DPCN GLAXO</p>
Inventor(s)	/INV (or /IN)	<p>Name(s) and address(es).</p> <p>Addresses available from 1991, but not searchable (see the AINV field below).</p> <p>Search the inventor name, with or without first name, using single terms or phrases.</p> <p>Use the D proximity operator to combine family name and first name.</p> <p>Note: Use the /INN index with the NBR, MEM and MEMS commands.</p>	<p>/INV BONTEMS</p> <p>/INV BONTEMS MAURICE</p> <p>/INV D DIDIER, SAINT, LEGER</p> <p>NBR /INN MARTIN</p>

Patent assignee, Inventor, Representative (contd.)

Search by	Index	Search Hints	Examples
Inventor country	/AINV (or /INC)	Search by standard 2-letter code on the inventor's country of residence.	/AINV IT
Patent assignee or inventor name	/IND	<p>This super-index enables you to search the /DEP, /DEPC and /INV indexes simultaneously.</p> <p>Search on the inventor or patent assignee name using single terms or phases.</p> <p>Note: This field is useful for searching for a physical person, patent assignees or inventors.</p>	/IND PIERRE
Representative name	/MND (or /RP)	<p>Search on the representative name using single terms or phases.</p> <p>Note: Use the /MNDN (or /RPN) indexes with the NBR, MEM and MEMS commands.</p>	/MND CABINET FLECHNER NBR /MNDN CABINET

Publication Data

Search by	Index	Search Hints	Examples
Patent number: - Number - Type (for BSM filings only) - Publication date	/PUB (or /PN, /DS)	Search by: - patent number with or without the FR country code - type of publication - publication date in the format: YYYYMMDD YYYYMM YYYY Do not use numeric operators.	/PUB 2755927 /PUB FR2755927 /PUB FR8505 /PUB M /PUB 19980522 /PUB 199805 /PUB 1998
Publication date	/PD (or /DPD, /PY)	Use numeric operators: < ; > ; <= ; >= ; =. in the format: YYYY-MM-DD YYYY-MM YYYY	PD=1999-01-08 PD=1999-01:1999-05 PD<1965
BOPI number	/BPD (or /UP, /BPN)	BOPI number corresponding to the publication of the application: Format: YYYY-WW (year, followed by the week number)	/BPD 1998-52 /BPD 1998+

Application Data

Search by	Index	Search Hints	Examples
Application number (registration): - Number - Date	/EN (or /AP)	Search by: - application number in the source format, FRYNNNNNN or YNNNNNN - application number in the Questel*Orbit format (shown between square brackets within the record), YYYYFR-NNNNNNN - application date in the format: YYYYMMDD YYYYMM YYYY Do not use numeric operators.	/EN FR9709456 /EN 9709456 /EN 1997FR-0009456 /EN 19970723 /EN 199707 /EN 1997
Application date	/APD (or /DDP)	Use numeric operators: < ; > ; <= ; >= ; =. in the format: YYYY-MM-DD YYYY-MM YYYY	APD=1996 APD=1996-01:1996-03 APD>=1996

Priority Data

Search by	Index	Search Hints	Examples
Priority number: - Number - Country - Date	/PR	Search by: - priority number in the source format, CCN (standard 2-letter country code, followed by the application number in the country of origin) - priority number in the Questel*Orbit format (shown between square brackets within the record), YYYYCC-NNNNNNN - standard 2-letter country code. - priority date in the format: YYYYMMDD YYYYMM YYYY Do not use numeric operators. To combine the country and date, use the P operator.	/PR DE4446607 /PR 1994DE-446607 /PR DE /PR 19941224 /PR 199412 /PR 1994 /PR DE P 1994
Priority date	/PRD	Use numeric operators: < ; > ; <= ; >= ; =. in the format: YYYY-MM-DD YYYY-MM YYYY	PRD=1994-12-24 PRD=1994-03:1994-06 PRD>=1994

Publication, Application and Priority data

Search by	Index	Search Hints	Examples
Numbers	/NOS	This super-index enables you to search the /PUB, /AP, /PR, /RTN, /XPN, /XAP and /XPR indexes simultaneously. Note: This is useful when you are not sure what type of number you are searching.	/NOS FR2720176 /NOS FR9410197 /NOS GB9413204

Search Report Data

Search by	Index	Search Hints	Examples
Cited documents - Patents - Non-patent literature - Relevance category	/RR (or /AVD, /CT)	Search by: - patent number of cited patents - words or phrases in the non-patent literature - relevance category: use the 3W operator to combine the note 'CAT' with the letter.	/RR US4410514 /RR TRANSDUCER /RR CHEMICAL ABSTRACTS /RR CAT 3W X
Search report date	/DRR (or /DSP, /DCT)	Publication date of the second documentary advice project or search report Use numeric operators: < ; > ; <= ; >= ; =. in the format: YYYY-MM-DD YYYY-MM YYYY	DRR=1997-04-25 DRR=1998-01:1998-05 DRR>=1998
BOPI number	/BRR (or /BSP)	Issue number for the publication of the second documentary advice project or search report. format: YYYY-WW (year, followed by the week number).	/BRR 1997-10 /BRR 1997+
Publication date of a supplementary search report	/DRRS	Search on the presence of the field.	DRRS=YES

Rejection, Withdrawal, Grant, Lapse

Search by	Index	Search Hints	Examples
Rejection or withdrawal	/RJT	Search on the presence of the RJT field.	RJT=YES
Date of grant	/DDL (or /DGR)	Use numeric operators: < ; > ; <= ; >= ; =. In the format: YYYY-MM-DD YYYY-MM YYYY Note: Also use the presence of the field.	DDL=1991-12-13 DDL=1991-01:1991-03 DDL<1991 DDL=YES
BOPI number of the granted patent	/BDL (or /BGR)	BOPI number of publication of the granted patent. Format: YYYY-WW (year, followed by the week number)	/BDL 1991-50 /BDL 1991+
Date lapsed*	/DCH (or /DLP)	Comprises: - either a date YYYY-MM-DD, when the patent will lapse for non-payment of annuities - or the note 'domaine public' when the patent will lapse normally (after 20 years for patents and 6 years for utility models) or for patent applications prior to 1969 Search: - on the presence of the field - using numeric operators: < ; > ; <= ; >= ; =.	EASTMAN/DEP AND DCH=YES DCH=1986-06:1986-08

* Caution: when DCH is present, check in the RNB field if the patent is subjected to an appeal.

Related Patents

Search by	Index	Search Hints	Examples
Application number	/RTN (or /ADD, /DIV, /PAR, /PRIN)	Present when a patent has been the object of an addition or a division Search on the FR code, followed by the 7-digit application number of the related patent: - addition (ADD) - division (DIV) - main patent (PRIN)	/RTN FR8900907 /RTN ADD /RTN DIV /RTN PRIN

Complementary Protection Certificate (CCP)

Search by	Index	Search Hints	Examples
Complementary Protection Certificate (CCP): - CCP number - CCP date	/CCP	Search by: - CCP number in the format: FRYYCXXXX with or without the FR country code. - date in the format: YYYYMMDD YYYYMM YYYY	/CCP FR97C0114 /CCP 97C0114 /CCP 19970808 /CCP 199708 /CCP 1997
CCP applicant	/DEPC (or /PANC)	Search the applicant name using single terms or phases. Note: use the /DPCN index with the NBR, MEM and MEMS commands.	/DEPC GLAXO NBR /DPCN

Complementary Protection Certificate (CCP) (contd.)

Search by	Index	Search Hints	Examples
Marketing authorization (AMM): - AMM number - Date of grant	/AMM	Search by: - AMM number - year of grant in the format: YYYY	/AMM NL17391 /AMM 1995
Name of medicine being the subject of the CCP	/MED	Search on the name (International Non-proprietary Name or Proprietary Medicine), using single terms or phrases. Note: the MED is included in the Basic Index.	/MED AZANTAC /MED RANITIDINE
Date: - of publication of the CCP - of grant of the CCP - deadline of validity of CCP	/DPC /DDL (or /DGRC) /DLVC	Use numeric operators: < ; > ; <= ; >= ; =. Format: YYYY-MM-DD YYYY-MM YYYY Date calculated on the basis of the application date of the patent and the date of the Marketing Authorization. Updated with the date of grant of the CCP (DDL)	DPC=1997-12-19 DPC=1997-12 DDL>1997 DLVC=2008-06-24
Rejection or withdrawal	/RJTC (or /DWDC)	Search on the presence of the field.	RJTC=YES
Modified claims	/RVMC (or /CLMC)	Search on the presence of the field.	RVMC=YES

Other Indexes

Search by	Index	Search Hints	Examples
Type of legal document	/NATD /NAT	Search using single terms or phrases on the: - original type of document - the current legal document	/NATD BREVET /NAT CERTIFICAT AND UTILITE
National Patent Registry (RNB) : - Type of registration - Registration number - Date of registration	/RNB (or /FPR)	Search on: - the presence of the field (from 1980) - the type of registration - using single terms or phrases - using 2-letter code (see list of codes on pages 19 and 20) - registration number (beginning with the letter N) - registration year	RNB=YES /RNB TRANSMISSION TOTALE /RNB TO /RNB N105208 /RNB 1998
Modification of claims	/RVM	Search for the presence of the RVM field.	RVM=YES
Jurisprudence	/JUR	A patent which is the subject of a legal case or which has been cited in legal proceedings. See the FRJURISP database. Search for the presence of the JUR field.	JUR=YES
Update	/UA /UC	Modification update (see page 17). Format: YYYY-WW (year, followed by the week number) Date European classification updated (ECLA) Format: YYYY-MM (year, followed by the month)	/UA 1998-16 /UA 1998-01:1998-04 /UA 1998+ /UC 1998-01 /UC 1998-01:1998-03 /UC 1998+

Crossfile Searching with other Questel•Orbit Patent Databases

Search by	Index	Search Hints	Examples
Patent number	/XPN	Standardized patent number for use with the MEM command and the *MEM super-term.	/XPN FR2744550 MEM /XPN
Application number	/XAP	Standardized application number for use with the MEM command and the *MEM super-term.	/XAP 1997FR-0001162 MEM /XAP
Priority number	/XPR	Standardized priority number for use with the MEM command and the *MEM super-term.	/XPR 1996TW-0101333 MEM /XPR
Number of cited patents	/XCT	Standardized patent numbers for patents cited in the RR field, search report. For use with the MEM command and the *MEM super-term.	/XCT WO9202837 MEM /XCT

Document Display

Fields	Formats						
	CITE	EVEN	FCCP	MAXA	MAX	STDR	TEST
AB				✓	✓		
ADEP				✓	✓	✓	
AMM			✓		✓		
BDL				✓	✓		
BPD				✓	✓		
BRR	✓			✓	✓		
CCP			✓		✓	✓	
CIB1				✓	✓	✓	✓
CIB2				✓	✓	✓	✓
CIBA				✓	✓		✓
DCH		✓		✓	✓	✓	
DDL		✓		✓	✓	✓	
DDLC		✓	✓		✓		
DE				✓	✓		✓
DEP				✓	✓	✓	
DEPC			✓		✓		
DLVC			✓	✓	✓		
DPC		✓	✓		✓		
DRR	✓	✓		✓	✓		
DRRS	✓	✓		✓	✓		
EC					✓		
EN		✓	✓	✓	✓	✓	
ICO				✓	✓		
INV				✓	✓		
IT				✓	✓		✓
JUR				✓	✓		
MED			✓		✓		
MND				✓	✓		
NAT		✓		✓	✓		
PR		✓		✓	✓	✓	
PUB	✓	✓	✓	✓	✓	✓	
RJT		✓		✓	✓	✓	
RJTC		✓	✓		✓		
RNB		✓		✓	✓		
RR	✓			✓	✓		
RTN		✓		✓	✓		
RVM				✓	✓		
RVMC			✓		✓		
TI				✓	✓	✓	✓

Fields which do not form part of a predefined display format

UC Classification update code ECLA (EC field)
UA Modification update code
XAP Standardized application number
XPR Standardized priority number
XCT Standardized cited patent numbers

Data:

PD publication date, APD application date, PRD priority date are included in the
PUB (= PN) patent number, EN (= AP) application number and PR priority number fields respectively.

Image Displaying

To display an image in a record, use the IMG parameter.

Displaying image: Add the IMG parameter to the TI or PD field.
PRT TI IMG or PRT PD IMG.

Displaying text and image: Add the IMG parameter to a display format.
Examples: PRT TEST IMG or PRT MAX IMG.

SDI Profiles

1. To watch for new publications: SV PF name
2. To watch for updates to the classification ECLA, EC field
use the syntax: SV PF name;SURV /UC
3. To watch for procedural events, using the event fields: CCP, DCH, DDL, DDLC, DRR, DRRS, RJT, RJTC, RNB, use the syntax: SV PF name;SURV /UA

Online Document Ordering

There are two possibilities:

1. OR SS X Y (document Y from search statement X)
OR SS X Y-Z (documents Y to Z from search statement X)
2. DOR FRPATENT;CM ... (FREE TEXT) ...
To order one or more documents using free text available from the EPO.

List of Fields

AB	Abstract
ADEP	Application country (= PAC)
AINV*	Inventor country (= INC)
AMM	Marketing authorisation
APD*	Application date (= DDP)
BDL	BOPI number for grant (= BGR)
BPD	BOPI number for publication (= UP, BPN)
BRR	BOPI number for the search report or the documentary advise (= BSP)
CCP	Complimentary Protection Certificate
CIBA	Complimentary patent classification (= ICA)
CIBB	Berlin classification
CIB1	Main IPC classification (= IC1)
CIB2	Secondary IPC classification (= IC2)
DCH	Date of lapse (= DLP)
DDL	Date of grant (= DGR)
DDLC	Date of grant for CCP (= DGRC)
DE	French descriptors
DEP	Name and address of applicant cited in the initial application (= PA, DEPA)
DEPC	CCP applicant (= PANC)
DLVC	Deadline of validity of CCP
DPC	Date CCP publication
DRR	Date of search report or documentary advice (= DCT, DSP)
DRRS	Date of additional search report
EC	European classification ECLA
EN	Registration number (application) and date of application (= AP)
ICO	In Computer Only Classification used by the EPO examiners
IDT	Dutch classification
INV	Inventor (= IN)
IT	English descriptors
JUR	Jurisprudence
MED	Name of medicine covered by the CCP
MND	Agent (= RP)
NAT	Type of document
NATD	Original type of document (if the nature of the patent has changed)
PD*	Publication date (= DPD, PY)
PR	Priority number and date
PRD*	Priority date
PUB	Publication number and date (= PN, DS)
RJT	Rejection or withdrawal
RJTC	Rejection or withdrawal of CCP (= DWDC)
RNB	Registration on the National Patent Register (= FPR)
RR	Search report (= CT, AVD)
RTN	Related document (= ADD, DIV, PAR, PRIN)
RVM	Modification of claims
RVMC	Modification of claims relating to the CCP (= CLMC)
TI	Title (= FT)
UA*	Event update.
UC*	ECLA classification update
XAP*	Standardized application number
XCT*	Standardized cited patent numbers
XPN*	Standardized patent number
XPR*	Standardized priority number

* Note: fields not included in a predefined display format

List of RNB Codes

“Registre National des Brevets” (RNB) = French Patent Registry (FPR) register:

Actions affecting the existence or validity of a patent

ET	Retrait total	<i>Total withdrawal</i>
EP	Retrait partiel	<i>Partial withdrawal</i>
RP	Renonciation partielle	<i>Partial renunciation</i>
RT	Renonciation totale	<i>Total renunciation</i>
SD	Suspension de la procédure de délivrance	<i>Suspension of the grant procedure</i>
RD	Reprise de la procédure de délivrance	<i>Resumption of grant procedure</i>
RR (formerly AR and RC)	Recours en restauration	<i>Appeal for restoration</i>
DE	Désistement à la suite d'un recours	<i>Withdrawal following an appeal for restoration</i>
DF (formerly DD, DI and BR)	Désistement du Directeur de l'INPI statuant favorablement sur un recours	<i>Favorable ruling of INPI Director regarding an appeal</i>
DN (formerly DD, DI and BR)	Désistement du Directeur de l'INPI déclarant irrecevable ou rejetant un recours	<i>Ruling of INPI Director declaring as inadmissible or rejecting an appeal</i>
RA	Recours formé devant la cour d'appel contre une décision du Directeur de l'INPI	<i>Appeal lodged with Court of Appeal</i>
DC	Désistement à la suite d'un recours formé devant la cour d'appel contre une décision du Directeur de l'INPI	<i>Withdrawal following an appeal lodged with Court of Appeal</i>
DA	Décision du Directeur de l'INPI rapportant la décision de constatation de déchéance	<i>Overruling the decision of lapse</i>
AT	Annulation des décisions de transformation d'office d'une demande de brevet en certificat d'utilité et de délivrance de certificat d'utilité	<i>Revocation of order for ex officio conversion of a patent application into a utility certificate</i>
TR	Décision définitive de rejet d'une demande de brevet français résultant de la transformation d'une demande de brevet européen	<i>Final decision: rejecting a French patent application resulting from the conversion of a European patent application</i>
AV	Autre acte affectant l'existence ou la validité d'un titre de propriété industrielle	<i>Other action affecting the life or validity of an industrial property title</i>
DV	Décision judiciaire définitive affectant l'existence ou la validité d'un titre de propriété industrielle	<i>Final court decision affecting the life or validity of an industrial property title</i>
PC	Pourvoi en cassation	<i>Appeal lodged with Supreme Court</i>
CP	Demande de certificat complémentaire de protection	<i>Application for a supplementary certificate of protection</i>

List of RNB Codes (contd.)

Actions affecting the existence or validity of a patent

PT (formerly TP)	Transmission partielle de propriété	<i>Partial transfer of ownership</i>
TO (formerly TP)	Transmission totale de propriété	<i>Total transfer of ownership</i>
TP	Transmission de propriété	<i>Transfer of ownership</i>
CL	Concession de licence	<i>Licensing</i>
RL	Résiliation de licence	<i>Cancellation of license</i>
DL	Décision du Directeur de l'INPI admettant un brevet au régime de la licence de droit	<i>License of right accepted</i>
LR	Décision du Directeur de l'INPI révoquant la décision ayant admis un brevet au régime de la licence de droit	<i>License of right revoked</i>
GC	Constitution de gage	<i>Pledging (lien)</i>
GR	Radiation de gage	<i>Removal of a pledge (lien)</i>
SN	Saisie notifiée	<i>Notice of seizure</i>
MS	Main levée de saisie	<i>Lifting of seizure</i>
AN	Adjudication publique	<i>Public auction</i>
AP	Assignation en revendication de propriété	<i>Action claiming ownership</i>
AM	Autre acte affectant la propriété ou la jouissance d'un titre de propriété industrielle	<i>Other action affecting ownership or use of an industrial property title</i>
DJ	Décision judiciaire définitive affectant la propriété ou la jouissance d'un titre de propriété industrielle	<i>Final court decision affecting the ownership or use of an industrial property title</i>

Rectifications

CA	Changement d'adresse	<i>Address change</i>
CD	Changement de nom, de dénomination	<i>Name or denomination change</i>
CN	Changement de forme juridique	<i>Legal status change</i>
EM	Rectification d'une erreur matérielle	<i>Correction of material errors</i>