

# FRFULL

## Full-Text French Patent Applications

**■ Contents:**

All patent applications published in France.  
Contains bibliographic, title, abstract and full text coverage of description and claims.  
Images

**■ Coverage:**

From 1980

**■ Number of records:**

More than 300,000

**■ Updating:**

Weekly  
Bibliographic Info: Day after publication  
Full Text: 1 week after publication

**■ Language of records:**

French (descriptors are available in English)

**■ Cluster searching:**

The FRFULL database belongs to the predefined PATENTS cluster (FI CL PATENTS, FI PATENTS).

**■ SDI profiles:**

Weekly  
Monthly

**■ Producer:**

Questel•Orbit

**■ Source:**

INPI for bibliographic information  
Univentio for full text

# Sample Patent Record

1/1 FRFULL - (C) Questel-Univentio- image

CPIM

PN - FR2707056 A 19941230 [FR2707056]

TI - Changeur de prises monopolaire avec actionnement liniaire du contact.

IN - ALBRECHT WOLFGANG / LILIENSTRASSE 13 D-93173 WENZENBACH ALLEMAGNE FEDERALE

- LAUTERWALD ROLF / THON-DITTMER-STR. 9 D-93186 PETTENDORF ALLEMAGNE FEDERALE

- NEUMEYER JOSEF / BUCHENSTRASSE 38 D-93164 WALDETZENBERG ALLEMAGNE FEDERALE

PA - SOCIETE DITE: MASCHINENFABRIK REINHAUSEN GMBH/ Diposant / FALKENSTEINSTRASSE 8 D-93059 REGENSBURG ALLEMAGNE FEDERALE

AP - FR9405178 19940428 [1994FR-0005178]

PR - DE4321107 19930625 [1993DE-4321107]

RP - CABINET HERRBURGER

IC1 - H02P-013/06

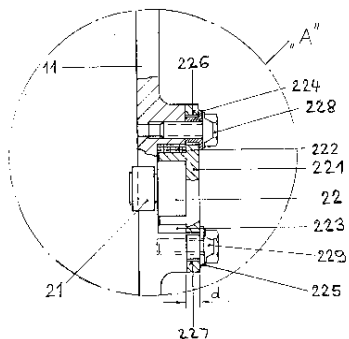
IC2 - H01H-003/60 H01F-029/04

AB - a) Changeur de prises monopolaire avec actionnement linéaire du contact, b) changeur de prises caractérisé en ce que la pièce de dérivation (11) comporte pour le guidage du verrou de déclenchement (22), une garniture de verrou (221) qui est montée élastiquement de façon qu'elle puisse se déplacer d'une faible quantité des deux côtés dans la direction de déplacement de la pièce de dérivation (11), et en ce que des garnitures élastiques (222, 223), de préférence élastiques en permanence, sont disposées des deux côtés de la garniture de verrou (221) de façon à limiter la mobilité de celle-ci des deux côtés c) L'invention se rapporte aux changeurs de prises monopolaires avec actionnement linéaire du contact.

CLMS - 1.- Changeur de prises monopolaire avec un actionnement liniaire du contact, dans lequel des prises fixes s'itentent dans l'intirieur du changeur le long d'une trajectoire liniaire et sont susceptibles d'jtre commuties par un micanisme de commutation diplagable, qui est entranni par un arbre d'entrannement, tandis qu'en outre, le micanisme de commutation est constitui d'un curseur susceptible d'jtre entranni directement en continu et d'une pihce de dirivation susceptible d'jtre entrannie par ce curseur, au moyen d'un accumulateur d'inergie ` ressort, et qui aprhs diclenchement, rattrape [.../...]

- 2.-Changeur de prises monopolaire avec un actionnement liniaire du contact, ans lequel des prises fixes s'itentent dans l'intirieur du changeur le long d'une trajectoire liniaire et sont susceptibles d'jtre commuties par un micanisme de commutation[.../...]

DESC - Changeur de prises monopolaire avec actionnement liniaire du contact de l'invention concerne un changeur de prises monopolaire avec un actionnement liniaire du contact, dans lequel des prises fixes s'itentent dans l'intirieur du changeur le long d'une trajectoire liniaire et sont susceptibles d'jtre commuties par un micanisme de commutation diplagable, qui est entranni par un arbre d'entrannement, tandis qu'en outre, le micanisme de commutation est constitui dtun curseur susceptible d'jtre entranni directement en continu et d'une pihce de dirivation susceptible d'jtre entrannie par ce curseur, au moyen d'un accumulateur d'inergie ` ressort, et qui aprhs diclenchement, rattrape[.../...]



# Searching

## Basic Index (default index)

Search by	Index	Search Hints	Examples
Terms from the Basic Index	/BI (default)	<p>The Basic Index comprises the following fields:</p> <ul style="list-style-type: none"> <li>- Title (/TI)</li> <li>- Abstract (/AB)</li> <li>- Claims (/CLMS)</li> <li>- Description (/DESC)</li> </ul> <p>For all these indexes, search by:</p> <ul style="list-style-type: none"> <li>- single terms, using Boolean or proximity operators, or</li> <li>- phrases, using implied adjacency</li> </ul> <p>Use limited and unlimited truncation. Left-hand truncation is also available.</p>	<p>PRISE? W MONOPOLAIRE?</p> <p>ACTIONNEMENT LINEAIRE</p>
Title	/TI (or /FT)	Search using single terms or phrases from the title. Proximity operators, boolean operators and truncation may also be used.	/TI CHANGEUR AND PRISE? MONOPOLAIRE ?
Abstract	/AB (or /FAB)	<p>Search using single terms or phrases from the title. Proximity operators, boolean operators and truncation may also be used.</p> <p>Note: Search using single terms or phrases from the abstract (from 1978).</p>	/AB GARNITURE S VERROU
Claims	/CLMS or (/FCLM)	<p>Search using single terms or phrases.</p> <p>Proximity operators, boolean operators and truncation may also be used.</p> <p>Note: If the claims are too numerous or the description is too long, the text will be divided in 2 fields: CLMS and CLM2</p>	/CLMS/CLM2 (PIECE 2W DERIVATION) P (VERROU W DECLENCHEMENT)
Description	/DESC	<p>Search using single terms or phrases.</p> <p>Proximity operators, boolean operators and truncation may also be used.</p> <p>Note: If the claims are too numerous or the description is too long, the text will be divided in 2 fields: DESC and DES2</p>	/DESC/DES2 (RAIL? 2W GUIDAGE) S CURSEUR

## Classification

Search by	Index	Search Hints	Examples
International Patent Classification (IPC)	/IC, /IC1, /IC2  or  /CIB, /CIB1, /CIB2	The main classification (IC1) and the secondary classification (IC2) may be searched using the /IC1 and /IC2 indexes respectively, or you may search all classification codes using the /IC index.  Search at the following levels: - full code ANNA-NNN/NNNN - group ANNA-NNN - sub-class ANNA - class ANN? – use limited truncation)	/IC H02P-013/06 /IC H02P-013 /IC2 H02P /IC H02#
Additional classification IPC classification (IPCA)	/ICA (or /CIBA)	Search at the following levels: - full code (ANNA-NNN/NNNN) - group (ANNA-NNN) - sub-class (ANNA) - class (ANN? – use limited truncation).  Note: for index codes which contain a colon «:», search by: - the full code, using quote marks - the group, followed by ":"	/ICA B60Q-001/22 /ICA B60Q-001 /ICA B60Q /ICA B60#  /ICA "C07B-007:26"

## Publication Data

Search by	Index	Search Hints	Examples
- Number  - Publication date	/PN (or /PUB)	Search by:  - patent number in the format FRNNNNNNNN  - publication date in the format: YYYYMMDD YYYYMM YYYY  Do not use numeric operators.	/PN FR2707056  /PN 19941230 /PN 199412 /PN 1994
Publication date	/PD (or /DPD, /PY)	Search in the format:  YYYY-MM-DD YYYY-MM YYYY  Use numeric operators: < ; > ; <= ; >= ; =.	PD=1994-12-30 PD>=1994-12 PD<=1994

## Application Data

Search by	Index	Search Hints	Examples
Application number (registration):  - Number  - Date	/AP (OR /EN, /FR,  /PA P)	Search by:  - application number in the source format, FRYNNNNNN or YYNNNNNN  - application number in the Questel•Orbit format (shown between square brackets within the record), YYYYFR-NNNNNNN  If the number is less than 7 digits, fill with zeroes.  - application date in the format: YYYYMMDD YYYYMM YYYY  Do not use numeric operators.	/AP FR9405178  /AP 1994FR-0005178  /AP 19940428 /AP199404 /AP1994
Application date	/APD (or /DDP)	Search in the format:  YYYY-MM-DD YYYY-MM YYYY  Use numeric operators: < ; > ; <= ; >= ; =.	APD=1994-04-28 APD=1994-04 APD<=1994

## Priority Data

Search by	Index	Search Hints	Examples
Priority number: - Number  - Country  - Date	/PR	Search by: - priority number in the Questel•Orbit format (shown between square brackets within the record), YYYYCC-NNNNNNN If the number is less than 7 digits, fill with zeros.  - standard 2-letter country code  - priority date in the format: YYYYMMDD YYYYMM YYYY  Do not use numeric operators.	/PR 1993DE-4321107  /PR DE  /PR 19930625 /PR 199306 /PR1993
Priority date	/PRD	Search in the format:  YYYY-MM-DD YYYY-MM YYYY  Use numeric operators: <;>; <=>; >=>; =.	PRD=1993-06-25 PRD>=1993-06 PRD<=1993

## Publication, Application and Priority Data

Search by	Index	Search Hints	Examples
Numbers	/NOS	This super-index enables you to search the PN, AP, PR and XPN indexes simultaneously.  Note: This is useful when you are not sure what type of number you are searching.	/NOS FR2707056

## Patent Assignee, Inventor, Representative

Search by	Index	Search Hints	Examples
Patent Assignee	/PA (or /DEP, /PAW)	Search the patent assignee name using single terms or phrases.  Address available from 1991, but not searchable.  Note: Use with NBR, MEM and MEMS commands; /PAN index	/PA MASCHINEN+ AND REINHAUSEN  /PA ALCATEL  /PA ALU+ PECHINEY
Patent assignee country	/PAC (or /ADEP)	Search by the English spelling of the of the patent assignee's country of residence or standard 2-letter country code	/PAC GERMANY /PAC DE
Inventor(s)	/IN (or /INV, /INW)	Name(s) and address(es).  Addresses available from 1991, but not searchable.  Search the inventor name, with or without first name, using single terms or phrases.  Use the D proximity operator to combine family name and first name.  Note: Use the /INN index with the NBR, MEM and MEMS commands.	/IN ALBRECHT D WOLFGANG
Inventor country	/INC (or /AINV)	Search by the English spelling of the of the inventor's country of residence or the standard 2-letter country code of the inventor.	/INC FRANCE /INC FR
Representative name	/RP (or /MND, /RNW)	Search on the representative name using single terms or phases.  Note: Use the /RPN index with the NBR, MEM and MEMS commands.	/RP HERRBURGER
Patent assignee, inventor name or representative	/IND	This super-index enables you to search the PA, IN and RP indexes simultaneously.	/IND ALCATEL

## Other Indexes

Search by	Index	Search Hints	Examples
Ascension Number in database	/AN	Number is same as patent publication number.	/AN FR2707056
Update in database	/UP /UP4	Field indicated date of bibliographic info update in database.  Search by: - week YYYY-WW - month YYYY-MM - year YYYY  SDIs are executed weekly by default. To change to monthly, use SURV UP4	/UP 2003-43 /UP4 2003-10 /UP 2003+  SV PF MYSDI ; SURV /UP4
Full Text Update	/IUP	Field indicates: - name of the source UNIVENTIO - week updated in format YYYY-WW	/IUP 2003-01  /IUP 2003+

## Crossfile Searching with Other Questel•Orbit Patent Databases

Search by	Index	Search Hints	Examples
Patent number	/XPN	Standardized patent number for use with the MEM command and the *MEM super-term.	MEM /XPN *MEM /XPN
Application number	/XAP	Standardized application number for use with the MEM command and the *MEM super-term.	MEM /XAP *MEM /XAP
Priority number	/XPR	Standardized priority number for use with the MEM command and the *MEM super-term.	MEM /XPR *MEM /XPR



## Other Display Options

- 1) **Citation Feature:** Display including corresponding citation record(s) from FRPATENT by using the citation command.

**Example :** **FI FRFULL**  
**/PN FR2707056**  
**PRT CITFR** (display in STDR format from FRFULL with citations from FRPATENT)  
  
**OR**  
**PRT ALL CITFR** (display in ALL format from FRFULL with citations from FRPATENT)

- 2) **Legal Feature:** Display including corresponding Legal Status record(s)

**Example :** **FI FRFULL**  
**/PN FR2707065/PN**  
**PRT LEGAL** (display in STDR format from FRFULL with legal information from LGST)  
  
**OR**  
**PRT ALL LEGAL** (display in ALL format from FRFULL with legal information from LGST)

- 3) **Plus Feature :** Display including field from another database

**Example :** **/PN FR2837573**  
**PRT TEST PLUS EVEN (FRPATENT)**

While searching other databases (FRPATENT, PLUSPAT, DWPI...), you can add one or more full text options from FRFULL to your current display.

Full Text : By using the **FULLTEXT** feature, you can add full text description and claims information to your display from FRFULL.

Full Claims : By using the **FULLCLMS** feature, you can add full text claims from FRFULL to your display. Default display format in databases is STDR. This format can be modified by specifying another format.

**Example :** **FI FRPATENT**  
**/PN FR2707056**  
**PRT MAX FULLTEXT**  
**PRT MAX FULLCLMS**

# Current Awareness – SDI Profiles

It is possible to setup SDI (Current Awareness) profiles in the FRFULL database by using the SDI command after the search strategy has been created in the database. The created SDI profiles will be automatically run against each new update (default) to the database and the results will be sent either via postal mail or email (if specified). You may also elect to have monthly SDI delivery by selecting UP4 in the survey field.

## Step 1. Create Strategy

File FRFULL  
**/pa alcatel+**

\*\* SS 1: Results 71

## Step 2: Enter : SDI ..[ and follow the menu prompts ]

**sdi**

Profile name ?  
**alcatel**

Confirm profile name (Yes / No) ?  
*[ further parameter options in the menu ]*

Survey field(s) ? : (eg. UP UE)

Set up SDI in another file ? : Yes / No

Delivery type ? enter mail /postal or email

E-Mail address : up to 6 addresses, each on separate line

Delivery Format (TXT or RTF or PDF or XML) :

Display Format :

Print Images ? : Yes / No

SDI title (3 lines maximum, up to 60 Chars.)

Enter a Number corresponding to following Page Styles :

1 - Fields Tags and without Page Breaks (Default Page Style)

2 - Fields Tags and with Page Breaks

3 - Full Field Names, Indented Text and without Page Breaks

4 - Full Field Names, Indented Text and with Page Breaks

5 - Report (Available on selected databases)

6 - Report - Merged Family (PlusPat only)

# Statistical Analysis

The following patent information in the FRFULL database can be statistically analyzed:

Publication Info		Application / Priority Info		Classifications	
Patent Assignee	GET PA	Priority Country	GET PRC	IPC	GET IPC
Inventor	GET IN	Priority Date (year)	GET PR GET PRD	Main IPC	GET MIPC
Publication Country	GET PC	Application Country	GET APC		
Publication Date (year)	GET PD	Application Date (year)	GET AP GET APD		
Publication Year	GET PY				

Note: GET PA , GET IN are analyzing the first stage publication information only.

**General Syntax:** GET <field>

**Options:**

EMAIL GET <field> EMAIL to receive statistical analysis results via email  
TOP n GET <field> TOP N EMAIL to specify TOP N entries in the analyzed listing  
TOSEL <listname> GET <field> TOSEL <listname> TOP N  
STORE GET <field> TOSEL <listname> STORE

**Syntax:** GET ss N <field> TOSEL <listname> SAVE/STORE [TOP N, GT M]

Example: GET PA TOP 20 EMAIL

## List of Fields

All these fields may be used with the PRT, LI, BR and =YES commands.

AB	Abstract ( =FAB )
AN	Ascension Number
AP	Application Information ( = EN, FR, PAP )
APD	Application Date ( = DDP )
CLMS	Claims ( = CLM, FCLM )
DESC	Description
IC1	International Patent Classification – main ( = CIB1 )
IC2	International Patent Classification – secondary ( = CIB2 )
ICA	International Patent Classification – additional ( = CIBA )
IN	Name and Address of Inventor ( = INV, NW )
INC	Inventor Country ( = AINV )
IUP	Full Text Update and Source
PA	Name and Address of Patent Assignee ( = DEP, PAW )
PAC	Patent Assignee Country ( = ADEP )
PD	Publication Date ( = DPD, PY )
PN	Publication Number ( = PUB )
PR	Priority Information
PRD	Priority Date
RP	Name of Legal Representative ( = MND, RNW )
TI	Title ( =FT )
UP	Database Update by Week
UP4	Database Update by Month
XAP	Standardized Application Number
XPN	Standardized Patent Number
XPR	Standardized Priority Number